

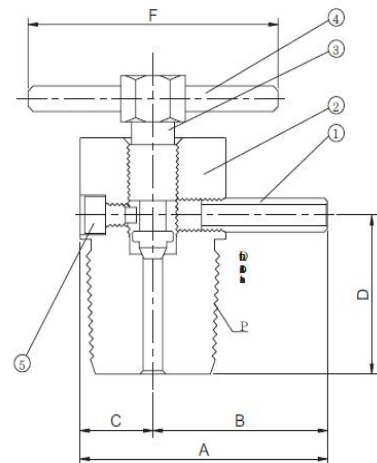
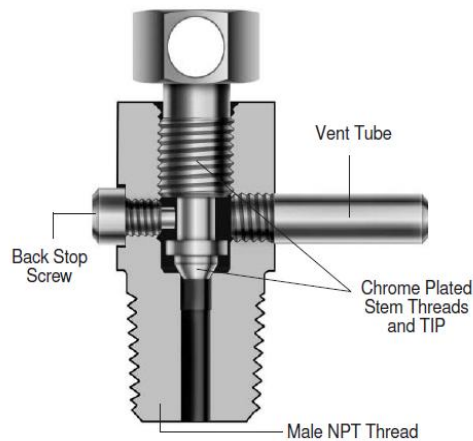
# Bleed Valves • SBL Series

## SBL Series

Uni-Lok SBL Series Bleed Valves are used on Gauge Root Valve or Manifold Valve so as to vent signal line pressure to atmosphere before disassemble of instrument device and to make control device calibrate easily.

### Features

- Pressure rating up to 10000psi(689bar) at 38°C(100°F)
- Temperature rating from -53°C(-65°F) to 454°C(850°F) with Stainless Steel
- Back Stop Screw prevents accidental disassembly of stem
- Vent Tube directs excess liquid or gas from system lines
- Chrome plated stem threads and tip extend valve cycle life.



### Materials of Construction

No.	Description	Materials
1	Vent	316SS
2	Body	316SS
3	Stem	316SS
4	Handle(Optional)	304SS
5	Bolt	304SS

### Table of Dimension

Part No.	P(NPT)	A	B	C	D	F
SBL-02N	1/8	34.0	23.9	10.4	19.1	51.8
SBL-04N	1/4	34.0	23.9	10.4	19.1	51.8
SBL-06N	3/8	37.3	26.2	11.2	22.4	51.8
SBL-08N	1/2	37.3	26.2	11.2	22.4	51.8

Stainless Steel Bar Handle is optional (-B) as SBL-02N-B

Barbed Vent Tube is optional (-VT) as SBL-08N-VT

Note : Dimensions are reference only, subject to change without prior notice.