

# Bellows Valves • SBLVU Series

## SBLVU Series (Uni-Lok TUBE Fitting)



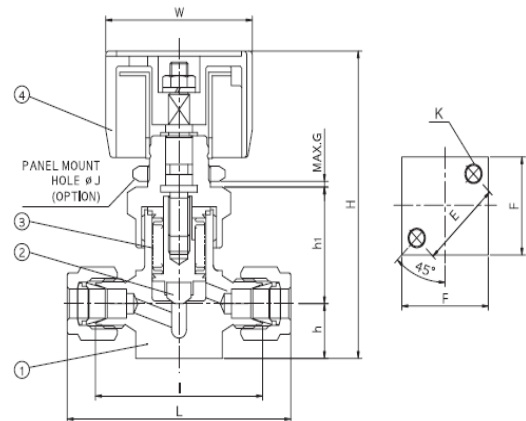
### Specification

End Connection : Uni-Lok TUBE Fitting  
 Max. Operating Temperature : -28°C (-20°F) ~ 93°C (200°F)

Max. Operating Pressure psig (bar)	
Round Handle	250 (17.3)
Toggle Handle	125 (8.6)
Normally Open	250 (17.3)
Normally Close	125 (8.6)
Open & Close	250 (17.3)

### Materials of Construction

No.	Description	Material
1	Body	SUS316L Single Melt(VOD)
		SUS316L Double Melt(VIM-VAR)
		SUS304
2	Disk	PCTFE
3	Bellows	SUS316L
4	Handle	ALUMINUM



### Table of Dimension

Unit : mm

Part No.	Applicable Tube		H	h1	h	L	W	F	K	MAX G	E
	Nom. Size	O.D.									
04-SBLVU-P	1/4	6.35	64.0	30.0	14.0	64.6	42.0	25.0	M5	2.0	23.0
06-SBLVU-P	3/8	9.53	71.0	37.0	16.0	81.6	42.0	25.0	M5	2.0	23.0
08-SBLVU-P	1/2	12.70	71.0	37.0	16.0	86.8	42.0	25.0	M5	2.0	23.0

Note : Dimensions are reference only, subject to change without prior notice.